

**DR. MERCOLA®**



**True HEPA Air Purifier  
with ODOGard®**

**User Manual**

# True HEPA Air Purifier with ODOGard®

Thank you for purchasing the Dr. Mercola® True HEPA Air Purifier with ODOGard® – a powerful system that transforms stale, indoor air into fresh, clean air for you and your family with ease. Its innovative technology purifies 450 square feet of air twice per hour, as the air naturally circulates through the front of the unit and out the top. This unit is ideal for spaces larger than your standard room but smaller than a three-bedroom home, such as common areas and studio apartments.

**Product Name:** True HEPA Air Purifier with ODOGard®

**Model Number:** CF-8410

Please carefully read the usage, maintenance and safety instructions outlined in this user manual for best results and a long-lasting system. The latest version can also be found online at [mercolamarket.com](http://mercolamarket.com).

## Contents

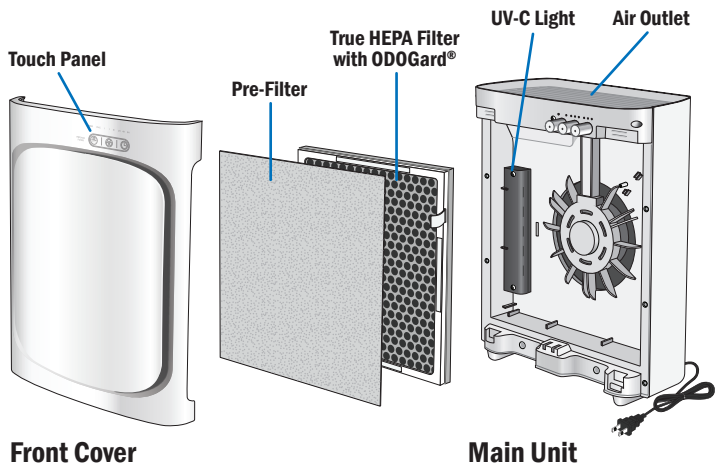
Materials . . . . .	2
Specifications . . . . .	3
Cautions + Warnings . . . . .	4
Get Started . . . . .	5
Settings . . . . .	5
Care + Maintenance . . . . .	6-7
Disposal + Recycling . . . . .	8
Help + Support . . . . .	8
Warranty Information . . . . .	8

## Materials

- (1) Air Purifier Unit with UV-C Light
- (1) True HEPA Filter with ODOGard®
- (1) Attached Washable Pre-Filter
- (1) Attached Power Cord
- (1) User Manual

# Specifications

Input Voltage	120VAC   60Hz
Power Consumption	55 watts (on highest setting)
Unit Dimensions	16" H x 12.75" W x 7.25" D
Unit Weight	9 lbs
Effective Area	up to 450 ft <sup>2</sup> twice per hour
Photocatalytic Filter	254 nm UV Light
Noise Level	less than 30 dB (low fan setting) less than 55 dB (high fan setting)
Fan Speeds	3 settings
Timer	2hr, 4hr, and 8hr
Warranty	One-Year Limited Warranty



# Cautions + Warnings

Dr. Mercola® Air Purifiers are electrical appliances made exclusively for indoor use and should only be operated in accordance with the information outlined in this manual. Usage other than what has been specified here may result in a significant injury or event, including electrical shock or fire. Please read all instructions and caution statements below before operating.



Do not operate the air purifier unit unless it is completely assembled and all parts are installed.



Place the unit on an elevated, stable surface.



Do not place the unit in wet areas of your home or near water, other liquids, a heat source, an open flame, or flammable/combustible fluids.



Always supervise children when they are near the unit.



Never block the ventilation or filter.



Do not place objects into the unit's openings, on top of it or directly against it.



Do not watch the operating UV light directly.



Do not use the included power cord for anything else but the appliance.



Do not plug your unit into an extension cord or a power strip.



Do not alter the power plug in any way. If the plug does not properly fit into the outlet, contact a qualified electrician to install the correct outlet.



Never place the power cord under rugs or similar coverings, furniture, other appliances or in heavy traffic areas.



Ensure that the power cord and plug are not at risk of getting damaged. A damaged power cord must always be replaced by the manufacturer, service agent or similarly qualified person.



Always disconnect the unit from the power supply before cleaning and maintenance, moving it or when not in use. Be sure to gently disconnect it by pulling the plug, not the power cord.



Never operate the unit with a damaged power cord or plug, failed motor fan, after any malfunctions, or after it has been dropped or damaged in any manner.



Do not attempt to service the appliance yourself, as this will void your warranty. Service must be performed by the manufacturer, service agent or similarly qualified personnel using only original parts.



If the unit is damaged or malfunctions, turn it off, disconnect it from the power supply, and contact Mercola Market Customer Care for further assistance.

# Get Started

1. Carefully remove the air purifier and power cord from the packaging.
2. Place your unit in a suitable location that does not exceed the recommended room size. For best results, place your unit in an area with good circulation on an elevated, level surface like a table, counter or shelf. Never place an operating unit on the floor or within one foot of a wall or other objects.
3. Safely plug the power cord into a proper voltage AC electrical outlet.
4. Turn on the unit by pressing the POWER/UV-C button, and select your fan speed - low, medium or high.

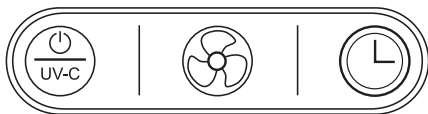
**PLEASE NOTE:** If buttons are unresponsive to touch, confirm that the front cover is properly aligned over the buttons. Ensure that the touch panel surface is clean, and that your hands are clean and free of any potential interferences such as heavy lotions or thick gloves.

**PLEASE NOTE:** When moving the air purifier, always lift it by the carrying handle located on back.

## Settings

POWER    UV-C    I    I    III    2H    4H    8H

REPLACE  
FILTER



**POWER/UV-C:** Press this button to turn the unit and UV light on or off. Press once to turn the unit on, press again to turn the UV-C light on. When the unit is not in use, turn it off by pressing the UV-C button, and unplug it.



**SPEED:** Select the speed of the purifier fan, pressing once for low, twice for medium and three times for high speed.



**TIMER:** Set timed intervals of 2, 4 and 8 hours of operation, which stop automatically when the time has elapsed.

# Care + Maintenance

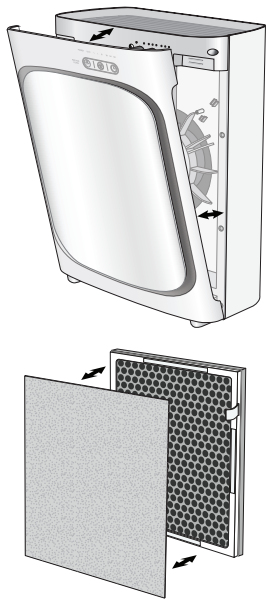
## Unit Cleaning

Always use a clean, dry, soft cloth to wipe the external surface of the unit, removing any debris or dust. Do not stick any foreign objects or your fingers inside the openings of the unit while you clean. Avoid the use of alcohol or any other cleaning solvents, as this could damage the unit.

## Filter Cleaning

1. Turn off and unplug your air purifier. Open the front cover of the unit by holding the top with one hand and firmly pulling from the side opening with the other.
2. Remove the True HEPA Filter + Pre-Filter by gently pulling the two white strips.
3. Separate the True HEPA Filter + Pre-Filter into its two parts for individual care and cleaning. Gently clean each filter separately with the brush attachment of a vacuum cleaner to help remove lint and dirt.
4. You may rinse only the washable Pre-Filter under warm water, rotating the piece to remove build up on both sides. Lay the Pre-Filter out to dry completely before reattaching it to the True HEPA Filter.
5. Line up the True HEPA Filter + Pre-Filter to the main opening, and gently push to insert it into the unit, with the strips on the top and your Pre-Filter facing out.
6. Replace the front cover of the unit by first lining up the inside bottom latches with the bottom frame of the unit, and gently push the cover in until the top inside magnets securely connect into place.

**PLEASE NOTE:** Never wash or use water on your True HEPA Filter.



Your True HEPA Air Purifier, along with the True HEPA Filter + Pre-Filter, should be cleaned at least once a month. More frequent cleaning may be required depending on environmental conditions and usage. The Pre-Filter may be reused after you replace your True HEPA Filter, depending on wear. You will need to replace the Pre-Filter once you can no longer remove dirt with routine cleaning.

## Filter Change Indicator

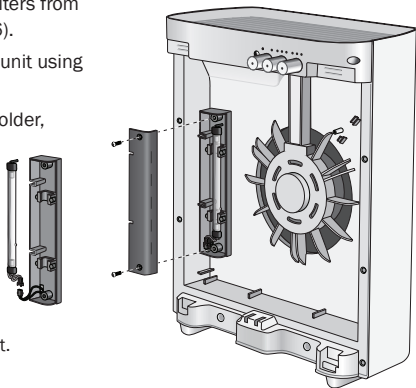
Your specialized True HEPA Filter with ODOGard® will last approximately 6 to 12 months, depending on extent of use and environmental conditions. When the power light starts blinking continuously, it is time to replace the filter. Simply replace the filter according to the directions listed below, then press the POWER/UV-C button and hold for 5 seconds to restart the system. The light will stop blinking.

1. Turn off and unplug your air purifier.
2. Remove the True HEPA Filter + Pre-Filter from the unit. Detach the washable Pre-Filter from the used True HEPA Filter. You may clean your Pre-Filter during this time (see “Filter Cleaning” on page 6).
3. Attach Pre-Filter to the new True HEPA Filter, and place back into the unit.
4. Plug air purifier back in. Press and hold POWER/UV-C Button for 5 seconds to reset the Filter Change Indicator.

## UV Light Replacement

In order to maintain effectiveness, the UV light should be replaced approximately every 12 months, depending on environmental conditions and extent of use.

1. Turn off and unplug your air purifier.
2. Open the front cover, and remove the Filters from the unit (see “Filter Cleaning” on page 6).
3. Open the gray UV Light cover inside the unit using a Phillips-head screwdriver.
4. Carefully remove the UV Light from its holder, and unplug the connector.
5. Connect the new UV Light to the connector, and carefully pop the Light into its holder.
6. Replace the UV Light cover. Replace the Filters and front cover.



**PLEASE NOTE:** To avoid eye injury, do not stare directly at the operating UV Light.

## Replacement Filters

Filter life depends upon the level of pollutants in the space being cleaned. The filters in your True HEPA Air Purifier with ODOGard® should be replaced at least once per year to ensure the highest quality of purification. To order replacement filters, please visit [mercolamarket.com](http://mercolamarket.com), or contact Mercola Market Customer Care at 1-877-985-2695.

# Disposal + Recycling

The True HEPA Air Purifier should be recycled as electronic waste, and the filters should be recycled as plastic according to local regulations. Contact your local waste authority or recycling center for the proper disposal method for the UV light. If you have questions regarding the disposal of this air purifier, please contact your local authorities to confirm the correct method of recycling.

# Help + Support

If you have questions about your Dr. Mercola® True HEPA Air Purifier with ODOGard® or need personalized support, please contact Mercola Market Customer Care 1-877-985-2695, or write a message at [mercolamarket.com/customerservice](http://mercolamarket.com/customerservice).

# Warranty Information

The Dr. Mercola® One-Year Limited Warranty applies only if the air purifier is installed, used and maintained according to the instructions in this manual.

The Dr. Mercola® True HEPA Air Purifier with ODOGard® is warranted to be free from all defects in material and workmanship in normal household use for a period of one year from date of purchase. The warranty is granted only to the original purchaser. The warranty is subject to the following provisions. The warranty does not cover normal wear and tear. Any damages or malfunctions caused by negligence, abuse, improper use or use not in accordance with the User Manual are not covered by this warranty. If the unit is dropped, damaged, immersed in or splashed with liquids, these are not covered by this warranty. Likewise, defects or damages caused by unauthorized service or alterations are not covered. Using this unit for commercial purposes voids this warranty. Natural Health Partners, LLC will, at its option, repair or replace a defective part on the True HEPA Air Purifier that is covered by this warranty. As a matter of warranty policy, Natural Health Partners, LLC will not refund the customer's purchase price. To obtain warranty service you must return the defective True HEPA Air Purifier along with proof of purchase to Natural Health Partners, LLC. All delivery charges on parts or units submitted under this warranty shall be borne by purchaser. Unless this warranty is expressly renewed or extended by Natural Health Partners, LLC any repaired or replaced part of the unit shall be warranted to the original purchaser only for the length of the unexpired portion of the original warranty. **FURTHER LIMITATIONS AND EXCLUSIONS ARE AS FOLLOWS:** Any warranty that may be implied in connection with your purchase or use of the Dr. Mercola® True HEPA Air Purifier with ODOGard®, including any warranty of merchantability is limited to the duration of this warranty. Some states do not allow limitations on how long an implied warranty lasts, so the above limitation may not apply to you. Your relief for the breach of this warranty is limited to the relief expressly provided above. In no event shall Natural Health Partners, LLC be liable for any consequential or incidental damages you may incur in connection with your purchase or use of the Dr. Mercola® True HEPA Air Purifier with ODOGard®. Some states do not allow the exclusion or limitation of incidental or consequential damages, so the above limitations or exclusions may not apply to you. This warranty gives you specific legal rights, and you may also have other rights which vary from state to state.